

KOBELCO

We Save You Fuel
Achieving a Low-Carbon Society

CAR-DISMANTLING MACHINE

SK210D



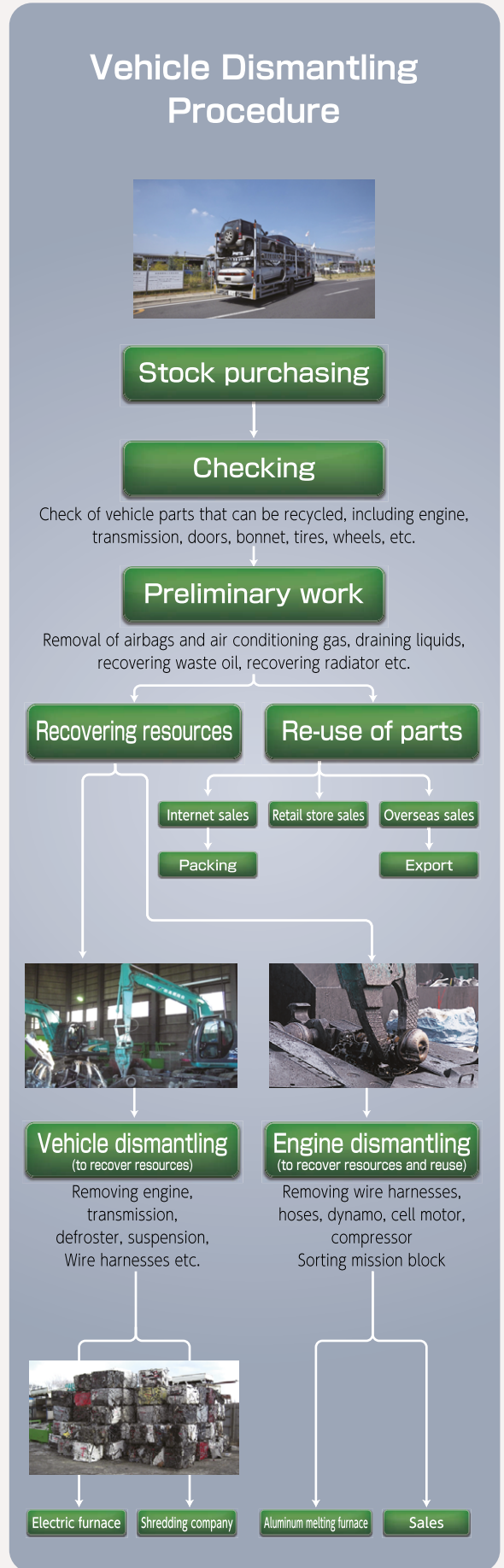
Evolution: Changes forthcoming to the European vehicle dismantling business!

**For greater productivity and safety
KOBELCO's vehicle dismantling machine SK210D
is dramatically changing the dismantling business**

Vehicle dismantling and recycling is a big business in Japan, where approximately 5 million end-of-life cars are sent to scrap yards every year. KOBELCO's metal dismantling machines, such as its vehicle dismantling machines, are key players in the dismantling and scrap fields. Since their first debut in 1979, more than 1,000 KOBELCO machines have been sold and a large number of our machines continue to support the metal recycling industry in Japan. To meet our customers' on-site needs over the past 35 years, KOBELCO has continuously improved its models, dramatically evolving in various aspects including productivity, saving energy, and safety. Handling comfort, structural strength and maintainability have also improved with these advancements. KOBELCO's latest model of vehicle dismantling machines is surely destined to become a major player in the promising European metal recycling industry.



Photograph: Multi-dismantling machine



Increased productivity and precision in sorting raw materials

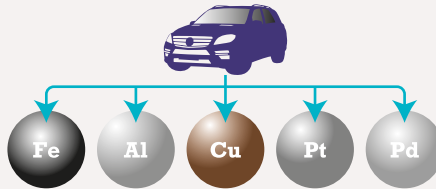
Approx. 4 times* the dismantling capacity compared with hand dismantling of passenger cars

Vehicle dismantling was once the task of multiple operators using tools and gas cutters. The same workload can now be accomplished by one machine operator. In addition, the SK210D can handle various types of vehicles including passenger cars, buses and trucks. Excellent benefits include: exponential increase in productivity due to a reduction in the processing time required for each vehicle, improved safety by eliminating the frame cutting process, greater comfort in the work environment, more effective use of human resources by reducing manpower, and more.

*: Comparison of a single day's work (KOBELCO test figures)

Improved recovery rate of rare earth metals

Precise and careful dismantling following optimal procedures speeds up the fine sorting of raw materials while allowing for the recovery of not only ferrous materials but also aluminum, copper and even catalytic materials of platinum and palladium.



A choice of two specialized nibblers for different dismantling tasks

The vehicle dismantling nibbler has a powerful grab, cutting force and rotational torque. The multi-dismantling nibbler (optional) with its pointed shape is suited to perform small-scale separating and sorting.



Vehicle dismantling nibbler KV800PR

Mass: 2,100 kg
Opening width: 800 mm
Cutting force: 882 kN
Grabbing force (at tip): 372 kN

- Cutting force can cut through chassis and frame
- Powerful tip grab force crushes tires and tire rims
- Strong rotating torque makes easy work of extracting components



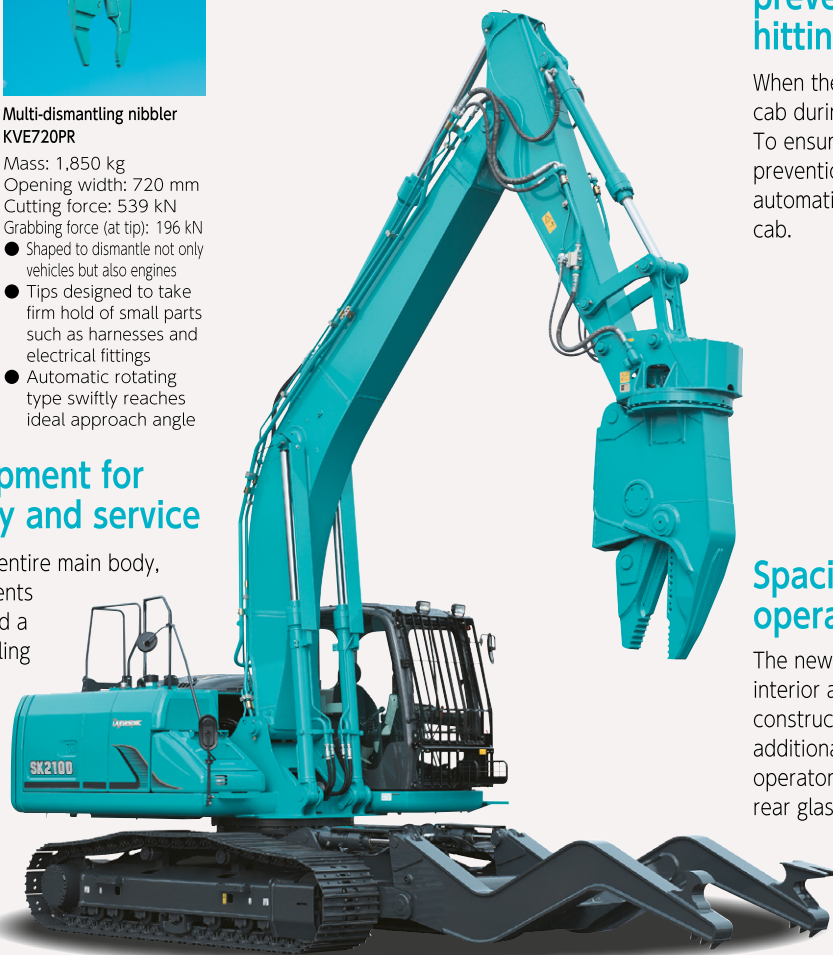
Multi-dismantling nibbler KVE720PR

Mass: 1,850 kg
Opening width: 720 mm
Cutting force: 539 kN
Grabbing force (at tip): 196 kN

- Shaped to dismantle not only vehicles but also engines
- Tips designed to take firm hold of small parts such as harnesses and electrical fittings
- Automatic rotating type swiftly reaches ideal approach angle

Unified development for superior quality and service

KOBELCO develops the entire main body, clamp arm and attachments in-house in order to build a complete metal dismantling machine with high quality, energy-efficient design and smooth operations. Because of in-house development, a one-stop maintenance service is possible with all the necessary parts.



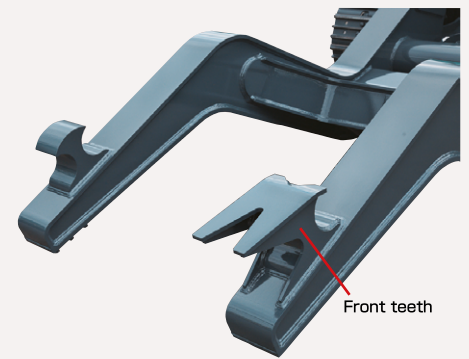
Incorporating the most advanced energy-saving technologies



KOBELCO's newest environmental engine and energy-saving hydraulic system achieve the highest energy saving performance in its class. When the ECO mode is selected, not only fuel consumption but also CO₂ emissions are dramatically reduced.

Clamp arms to securely hold the vehicle body

The clamp arms are a mono block "S" shape, best suited for holding items with superior strength for rigorous operation. Items up to 1.75 meters in height can be securely held from above. Special teeth are provided at the end of the top face, functioning as a hook to quickly break, bend and rip objects.

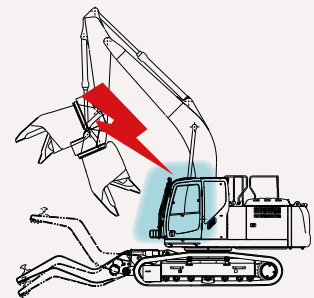


Fine control allows swift, point-perfect positioning

Attachment starts and stops are smooth, with no sudden speed changes in simultaneous operations. The smooth inching control can be done which is essential for small-scale work.

Equipped safety measures to prevent the nibbler from hitting the operator's cab

When the nibbler comes close to the operator's cab during operation, an alarm will sound. To ensure operator safety, the cab interference prevention system (standard feature) automatically stops the nibbler from hitting the cab.



Spacious cab protects the operator

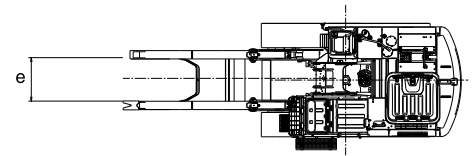
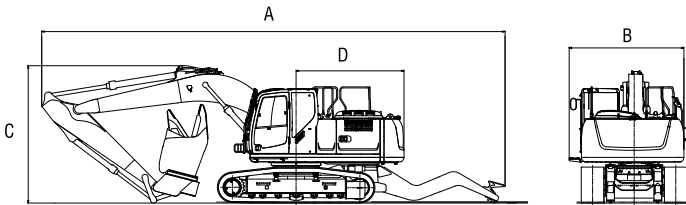
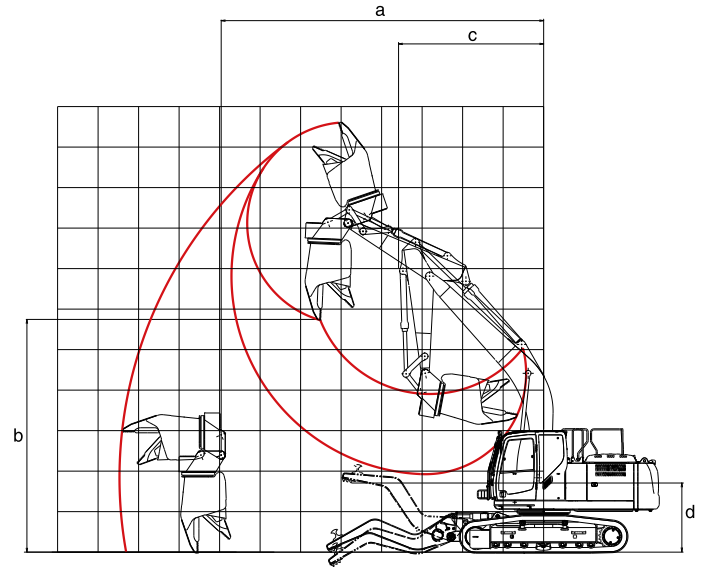
The newly designed cab provides a spacious interior and a wide field of view. The cab is constructed of high strength materials and has additional grilles across two sides to protect the operator. Shatter-proof film covers the front and rear glass windows.

■ Main Specifications

Model		SK210D	
Type		SK210D-9	
Operating weight		kg 26,800	
Swing speed		min ⁻¹ {rpm} 12.5 {12.5}	
Travel speed		km/h 1st.3.6 / 2nd.6.0	
Gradeability		% (degree) 70 (35)	
Engine	Type	HINO J05E-TJ	
	Rated power output	kW/min ⁻¹ {PS/rpm} 117 / 2,000 {159 / 2,000}	
Fuel tank		ℓ 370	
Relief valve setting		MPa {kg/cm ² } 34.3 {350}	
Hydraulic oil Tank (system)		ℓ 230 (130)	
Dimensions	A Overall length	mm 12,260	
	B Overall width	mm 3,050	
	C Overall height	mm 3,630	
	D Tail swing radius	mm 2,860	
Working ranges	Installed attachment	KV800PR	KV720PR
	a Max. vertical working range	mm 9,010	8,960
	b Max. operating height	mm 5,940	5,830
	c Min. swing radius	mm 3,540	
	d Working height of clamp arm	mm 1,750	
	e Operating width of clamp arm	mm 1,040	

All values are given in the International System of Units (SI). Numbers in parentheses () are given in conventional units. The operating weight indicates a weight of the machine without a nibbler.

■ Working Ranges



Standard equipment



Cab front guard



Boom cylinder guard



Boots tray



Two cab lights



Side steps



Car dismantle heavy counterweight



Shatter-proof laminated glass windows



Rear view camera



Upper structure undercover



Lower structure undercover



One way call

- Hosing for rotating nibbler (manually controlled)
- Skylight guards
- 600 mm (even height) shoes
- Automatic air conditioner
- KOMEX's remote monitoring system
- Suspension seat with arm rests
- Front working lights (2 on attachment, 1 on right of upper carriage)
- Radio
- Emergency hammer
- Double element air cleaner
- Insect repellent net (for air conditioning condenser)
- Hydraulic oil filter clog detector
- Dust proof fuel cap
- Tool box
- Grease gun

Optional equipment

- Cab interference prevention system override switch
- Boom and arm safety hoses
- 600 mm flat shoes
- Additional track guide
- Yellow rotating warning lamps

Note: This catalog may contain attachments and optional equipment that are not available in your area. And it may contain photographs of machines with specifications that differ from those of machines sold in your areas. Please consult your nearest KOBELCO distributor for those items you require.

Due to our policy of continuous product improvements all designs and specifications are subject to change without advance notice.

Copyright by **KOBELCO CONSTRUCTION MACHINERY CO., LTD.** No part of this catalog may be reproduced in any manner without notice.

KOBELCO CONSTRUCTION MACHINERY EUROPE B.V.

Veluwezoom 15
1327 AE Almere, the Netherlands
Tel: +31(0)36 2020354
www.kobelco-europe.com

Inquiries To: